

PROJECT	QUANTITY	ITEM NO
---------	----------	---------

# Pressure fryers

MODEL **PFE-561** Electric



PFE-561 6-head electric pressure fryer with **COMPUTRON™ 8000** control.

## General Information

Henny Penny first introduced commercial pressure frying to the foodservice industry 50 years ago. Today, Henny Penny pressure fryers continue to lead the industry in performance, durability and innovation.

Frying under pressure enables lower cooking temperatures and faster cooking times. The additional pressure also helps seal in the food's natural juices and reduce absorption of frying oil into product. Results of pressure frying generally produce a product with less fat and more flavor than other frying methods.

The Henny Penny PFE-561 electric offers a larger 6-head capacity fry pot in the standard 4-head fryer footprint.

Henny Penny pressure fryers incorporate several beneficial design features, including rectangular fry pot, cold-zone, color-keyed locking

spindle, heavy duty lid hinge, raised edge on fryer deck and more.

Henny Penny's high-efficiency heat exchange system produces among the lowest average exhaust gas temperatures in the industry, so you get fast recovery *and* energy savings. A narrow five square foot footprint also saves floor space and cookline frontage.

Built-in filtration system filters and returns hot oil in less than four minutes with no extra pumps or pans and no handling of hot oil.

The **COMPUTRON™ 8000** control provides fully automatic, programmable operation, as well as energy-saving, filtration and cook management features.

The **COMPUTRON™ 1000** control offers programmability in a simple, easy to use digital control panel with LED display.

## Standard Features

- Stainless steel cabinet for easy-cleaning and long life.
- Heavy-duty stainless steel rectangular fry pot with 7 year guarantee.
- Larger 6-head capacity fry pot.
- Cast aluminum alloy lid is strong but light for easy handling.
- Color-keyed locking spindle engages pressure seal.
- Patented lid-lock system keeps lid locked until pressure reaches 1 psi.
- Built-in filtration.
- Raised edge on deck reduces spills.
- Channel under lid helps direct condensation away from pot when lid is open.
- 4 heavy-duty casters, 2 locking.

- **COMPUTRON™ 8000** control (additional charge.)
  - 12 programmable cook cycles
  - Melt mode
  - Idle mode
  - Load compensation
  - Proportional control
  - Optional filter prompt and customizable filter tracking
  - Clean-out mode.
  - 16-character digital display with multiple language settings.
- **COMPUTRON™ 1000** simple digital control.
  - Programmable
  - LED Time/Temp display
  - Simple UP/DOWN arrows

## Accessories shipped with unit

**Max** shortening filtration system with choice of standard filtration media:

- 2 Carbon filter pads
- 2 Non-woven carbon filter envelopes
- 2 PHT filter envelopes

## Accessories and options available separately

- Direct Connect shortening disposal
- Full-size basket and handle
- Carbon pad envelope filter media
- Filter rinse hose attachment
- Filter pan dolly

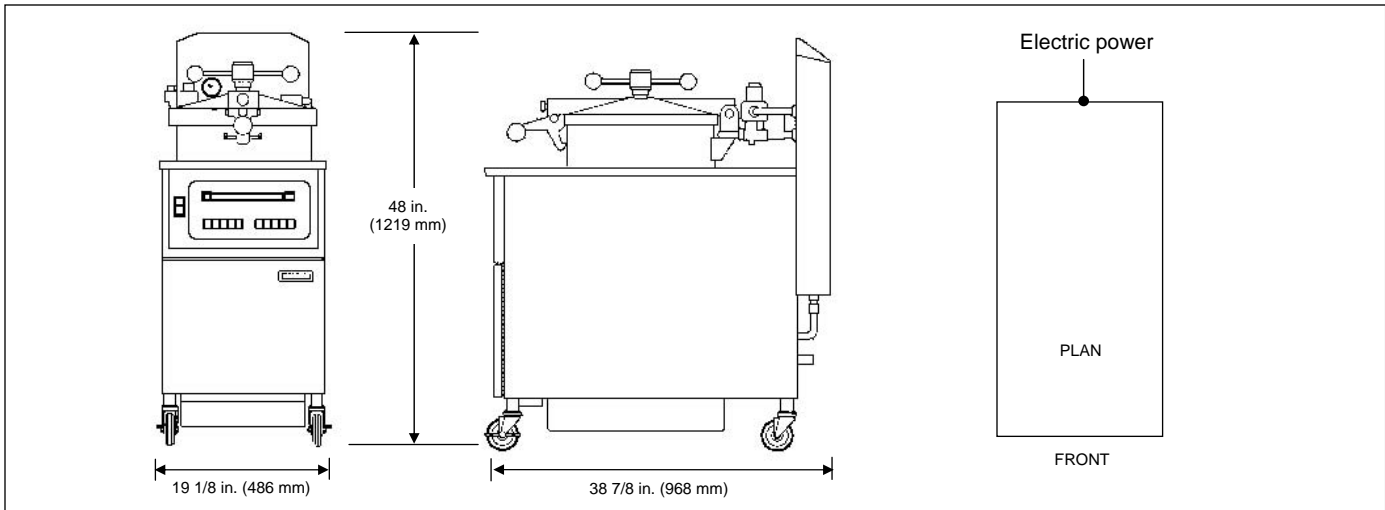
<input type="checkbox"/> APPROVED	<input type="checkbox"/> APPROVED AS NOTED	<input type="checkbox"/> RESUBMIT
AUTHORIZED SIGNATURE		DATE



PROJECT

ITEM NO

# Pressure fryers

MODEL **PFE-561** Electric

## Dimensions

Height: 48 in. (1219 mm)  
 Width: 19 1/8 in. (486 mm)  
 Depth: 38 7/8 in. (968 mm)

## Required clearances

Top: 16 in. (400 mm) for lid up  
 Sides: 6 in. (152 mm) air flow  
 Back: 6 in. (152 mm) air flow  
 Front: 30 in. (762 mm) filter pan removal

## Crated dimensions

Length: 44 1/2 in. (1130 mm)  
 Depth: 21 3/4 in. (550 mm)  
 Height: 56 in. (1420 mm)  
 Volume: 31.4 cu. ft. (0.88 m<sup>3</sup>)

## Net weight

N/A

**Crated weight:** 325 lbs. (148 kg)

## Pressure

Operating pressure: 12 psi.  
 Safety valve setting: 14.5 psi.

## Heating

3 immersed elements  
 3750W each (11250W total)

## Capacity

Product 18 lbs. (8.2 kg)  
 Oil 69 lbs. (32.2 l)

## Electrical

Volts	Phase	Cycle/Hz	Watts	Amps	Wire	Plug
190-208	3	50 or 60	11250	32.0	3+G	 NEMA 15-50 P USA 208V 220-240V
208	3	60	11250	32.0	3+G	
220-240	3	50 or 60	11250	30.0	3+G	 NEMA 15-60 P CAN 208V
220/380	3	50 or 60	11250	18.5	4+G	
240/415	3	50 or 60	11250	16.1	4+G	
480	3	60	11250	14.0	3+G	

NOTE: USA 208V or 220-240V units include cord, 90° angle plug, and receptacle OR cord, straight plug, and receptacle OR cord and straight plug OR no cord, plug, or receptacle.  
 Canada 208V units include cord, plug and receptacle.

## Laboratory certifications



## Bidding Specifications

- Provide Henny Penny Model PFE-561 electric pressure fryer, 18 lbs. (8.2 kg) capacity per load and built-in filtration system (additional charge.)
- Units shall incorporate either **COMPUTRON™ 1000** simple digital controls or **COMPUTRON™ 8000** control system (additional charge.)
- Materials—cabinet, deck, exhaust stack, spindle, locking mechanism, filter drain pan

and various fittings are stainless steel. Fry pot is heavy duty stainless steel. Lid is aluminum alloy.

- Color-keyed locking spindle and lid-lock mechanism engage pressure seal to create 9 psi pressure in cooking chamber.
- Three low-wattage electric elements encircle the inside of the fry pot part-way up the side, and are not located on the bottom or below the pot. This design produces a "cold zone" that extends suitable oil life.

- Unit's controller provides for programmable or manual operation with press-key controls and LED digital display. **COMPUTRON™ 8000** control offers idle and melt modes, load compensation, filtration tracking and 7-day history.
- Units will include 4 heavy-duty casters, 2 locking.
- Units will be shipped with starter kit of choice of filtering media.

Continuing product improvement may subject specifications to change without notice.

Henny Penny Corporation  
 PO Box 60 Eaton OH 45320 USA

+1 937 456.8400 800 417.8417  
 +1 937 456.8434 Fax 800 417.8434 Fax

[www.hennypenny.com](http://www.hennypenny.com)